



PERFORMANCES

| MODELS | DUCT Ø | m³/h | l/s | Pa | W | dB (A)* |
|------------------------------|--------|---------|-------|----------|---------|---------|
| Standard - Timer - HT | | | | | | |
| FLUX 100 | 100 | 90 | 25 | 124 | 30 | 44 |
| 2V - HT 2V | | | | | | |
| FLUX 100 2V | 100 | 90 / 38 | 25/10 | 124 / 78 | 30 / 12 | 44/37 |
| Selv - Selv Timer | | | | | | |
| FLUX 100 SELV | 100 | 90 | 25 | 124 | 26 | 44 |
| Standard - Timer - HT | | | | | | |
| FLUX 250 / Ø 100 | 100 | 201 | 56 | 195 | 29 | 52 |
| FLUX 250 / Ø 120 | 120 | 232 | 64 | 195 | 29 | 52 |

* Lp(A) measured at 3m in open field 230V-50Hz.



Comply with ErP Directive 2009/125/CE and EU Regulation 1253/2014 (Classification: Residential Ventilation Unit)

- Centrifugal duct fans with central outlet
- 2 models: 100 and 250, Ø 100 and 120 mm
- IMQ mark on Flux 100 (all versions)



Antivibration gasket



Backdraught shutter

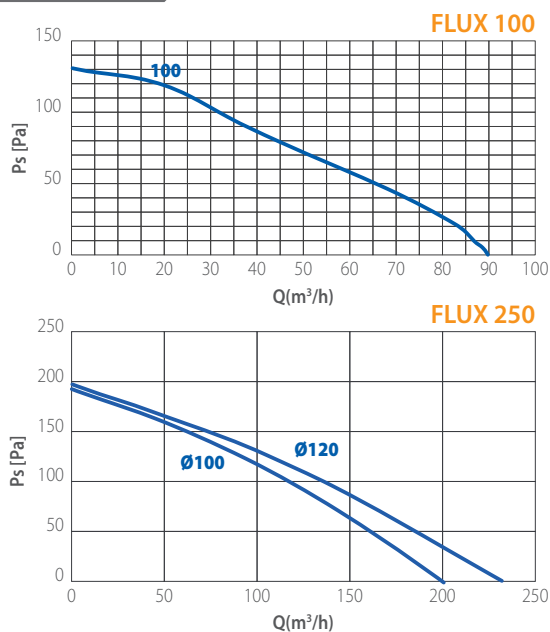


Central outlet

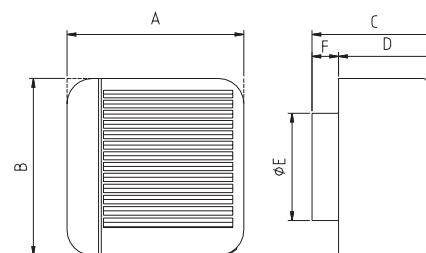
VERSIONS

- STANDARD** - On/off through light or remote control switch.
- PULL CORD** - On/off through pull cord switch.
- TIMER** - Integral electronic timer adjustable from 3 to 25 minutes.
- MHT** - Humidity control, adjustable from 40 to 80% of R.H.
- 2 SPEED** - 24 hours running at the lowest speed.

CURVES

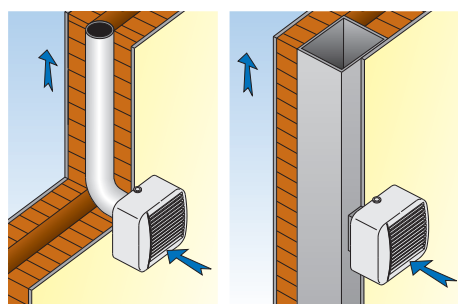


DIMENSIONS (mm)



| MODELS | A | B | C | D | ØE | F | Kg. |
|--------------|-----|-----|-----|-----|-----|----|-----|
| FLUX 100 | 160 | 160 | 119 | 89 | 97 | 30 | 0,8 |
| FLUX 250/100 | 210 | 210 | 156 | 131 | 97 | 25 | 1,8 |
| FLUX 250/120 | 210 | 210 | 156 | 131 | 119 | 25 | 1,8 |

INSTALLATION



SINGLE DUCT

MULTIPLE DUCT