




# RECsmart

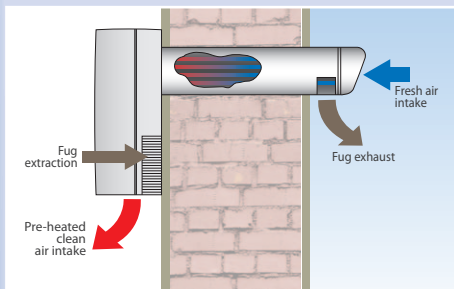
Decentralized Heat Recovery Unit

**Single rooms up to 40 m<sup>2</sup>**



**Comply with ErP Directive 2009/125/CE and EU Regulation 1253/2014.**  
Residential Ventilation Unit.

- **Thermal efficiency up to 75%**
- **Easy to install: no ducting system or heavy masonry required.**  
A hole of  $\varnothing$  100 mm is sufficient.
- **Ideal for refurbishment and energy requalification.**
- **Drastic solution to humidity and condensate problems.**
-  **EC motors.**



- Tubular heat exchanger with separate flows for a perfect hygiene.
- Balanced double flow, 24/7 running.

## ACCESSORIES



Built-in installation

### RLS Remote Speed control (min-max) and on/off switch.

- New design with cover
- Suitable for surface or built-in installation
- Ease of connection by the means of removable terminals
- Protection IP42
- Weight 0,40 Kg
- Supply voltage 230V – 50/60 Hz
- Dimensions 110 x 80 x 42

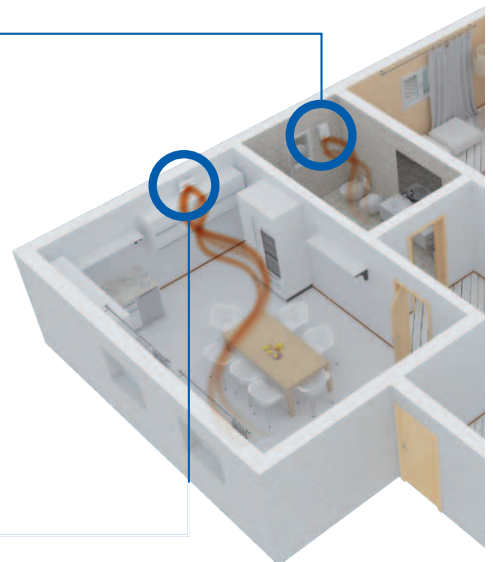
## DESCRIPTION

- 3 models with duct  $\varnothing$  100 mm and 3 standard lengths for wall thickness up to 600 mm.
- Suitable for any kind of room. Ideal for wet rooms like kitchens and bathrooms.
- Extremely compact and versatile: can be installed in horizontal or vertical position.
- High energy saving thanks to EC motors
- Integrate by-pass and antifreeze functions.
- Provided with 3 filters: the air is filtered in both flows before entering the heat exchanger.
- Easy maintenance and cleaning: filters and heat exchanger are removable and washable.
- Comply with EN 60335-2-80, B.T. 2006/95/CE, EMC 2004/108/CE.

## INSTALLATION EXAMPLES



Suitable for any kind of room  
Ideal for wet rooms like kitchens  
and bathrooms.



# MODELS

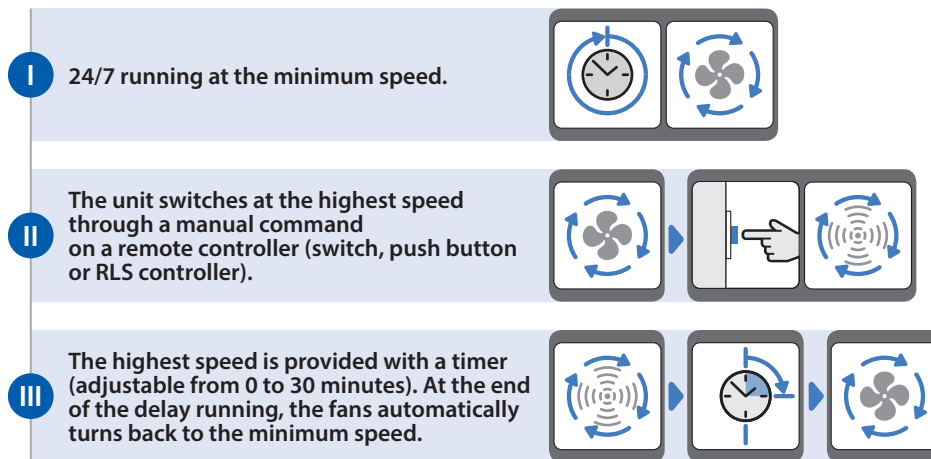
RECSmart is available in a range of 3 models corresponding to 3 different duct length, with a unique duct diameter 100 mm. The measures reported on the dimensional drawing refer to the maximum thickness of the wall on which the ventilation unit can be installed: 400, 500, 600 mm.

Each model is available in 2 versions: Standard and MHY (Humidity control).

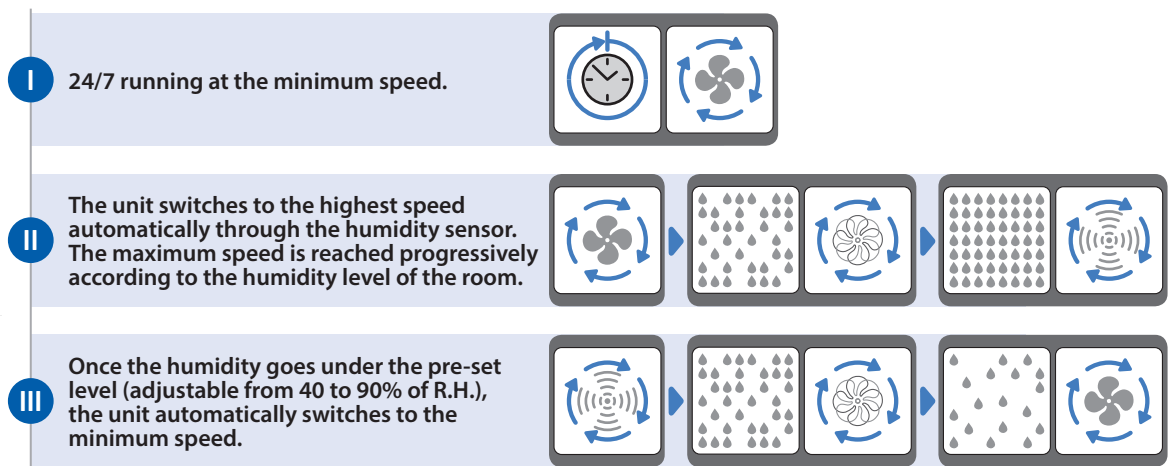
Both versions are provided with a timer function set on the maximum speed. The MHY humidity control version is provided with an exclusive technology patented by Maico Italia which allows to have the ventilation speed automatically set according to the detected humidity level.

# OPERATION

## STANDARD Version



## MHY Version Humidity control



Also the MHY version is provided with a timer adjustable from 0 to 30 minutes for the manual boost at the maximum speed. The function is useful in case it is necessary to have the fan running at the maximum speed independently from the humidity level (see point III standard version).

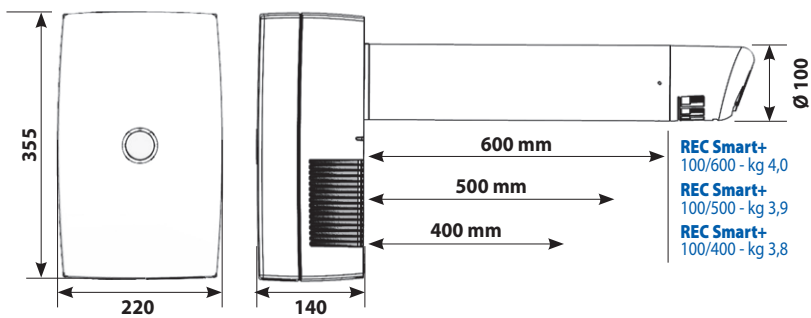


# PERFORMANCE

CODE	MODEL	DUCT Ø mm	WALL THICKNESS max mm	V at 50 Hz	m³/h	l/s	W	A	dB(A)	
									LwA	LpA*
<b>STANDARD Version</b>										
<b>2RC0100</b>	<b>REC Smart 100/400</b>	100	400	230	27 / 53	8 / 15	8,3 / 28,3	0,075 / 0,207	48,3 / 59,4	27,7 / 39,3
<b>2RC0110</b>	<b>REC Smart 100/500</b>	100	500	230	27 / 53	8 / 15	8,3 / 28,3	0,075 / 0,207	48,3 / 59,4	27,7 / 39,3
<b>2RC0120</b>	<b>REC Smart 100/600</b>	100	600	230	27 / 53	8 / 15	8,3 / 28,3	0,075 / 0,207	48,3 / 59,4	27,7 / 39,3
<b>MHY Version</b>										
<b>2RC0101</b>	<b>REC Smart 100/400 - MHY</b>	100	400	230	27 / 53	8 / 15	8,3 / 28,3	0,075 / 0,207	48,3 / 59,4	27,7 / 39,3
<b>2RC0111</b>	<b>REC Smart 100/500 - MHY</b>	100	500	230	27 / 53	8 / 15	8,3 / 28,3	0,075 / 0,207	48,3 / 59,4	27,7 / 39,3
<b>2RC0121</b>	<b>REC Smart 100/600 - MHY</b>	100	600	230	27 / 53	8 / 15	8,3 / 28,3	0,075 / 0,207	48,3 / 59,4	27,7 / 39,3

\* at 3 m in open field

## DIMENSIONS (mm)



## INSTALLATION

