



Comply with ErP Directive 2009/125/CE and UE Regulation 1253/2014
Classification: Residential Ventilation Unit



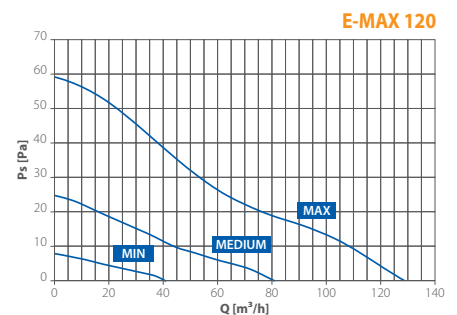
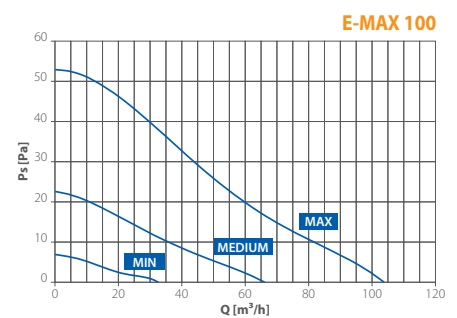
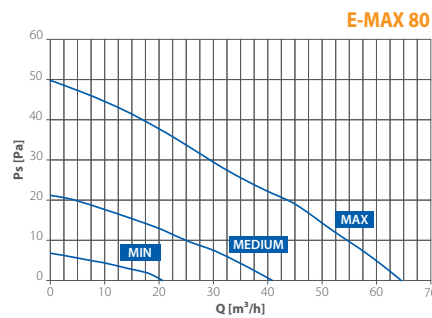
PERFORMANCE

OUTLET DIAMETER	SPEED	A	POWER	AIR FLOW	l/s	PRESSURE	LpA@3m
			W	m ³ /h		Pa	dB(A)*
80	Max	0,034	3,6	65	18	50	29
	Medium	0,020	1,9	41	11	21	19
	Min	0,015	1,1	21	6	7	14
100	Max	0,034	3,6	104	29	53	30
	Medium	0,020	1,9	67	19	23	20
	Min	0,015	1,1	33	9	7	14
120	Max	0,035	3,8	129	36	59	28
	Medium	0,020	1,9	81	22,5	25	17
	Min	0,014	1,1	41	11	8	14

* Sound pressure calculated @ 3m in free field - Performance measured at 230V / 50 Hz

- Modular axial fan provided with 3 outlet spigots of Ø80 - Ø100 - Ø120 mm
- Suitable for axial flow discharge towards the outside or through short ducts.
- Versatile installation on wall or ceiling.
- Very compact sizes and ultra-slim profile (33 mm without spigot), available with fixed grill.
- Integrated smart functions settable and controllable on board or via remote control according to versions.
- Multi tension 100-240V 50-60Hz ball bearing electronically commutated motor.
- Made of high quality antistatic technopolymer material.
- Optimized aerodynamic and fluid dynamic design.
- Impeller provided with an antivibration gasket.
- Aesthetic and smart LED on the cover with changing colors according to the ventilation modality.
- Back-draught shutters available on spigots (Ø 100 and 120).
- In compliance with EN 60335-2-80, EMC Directive 2014/30/EU, LVD Directive 2014/35/EU.

CURVES



SUPPLIED

REMOTE CONTROLLER INCLUDED WITH e max PLUS RC



VERSIONS

STANDARD - On/Off via control switch (light or remote)

2V DT - 24 hours running at low speed (selectable between 2 at installation). Speed boosts to maximum via control switch (light or remote). The maximum speed is provided with a timer (adjustable from 0 to 30 minutes) which activation can be delayed up to 2 minutes to avoid unnecessary night-time operation at the highest speed. (DT/Delay Timer function, selectable at installation).

MHY - 24 hours running at low speed (not selectable). Speed boosts to maximum automatically or manually:

- Automatically** via humidistat (adjustable from 45 to 85% of R.H). The fan speed increases/decreases according to the humidity level detected above the pre-selected threshold. It then switches back to the minimum speed when the humidity level goes beneath the pre-selected threshold and once concluded the pre-selected overrun via timer (adjustable from 0 to 30 min).

- Manually** via control switch (light or remote). The fan boosts to maximum via the manual switch and goes back to the low speed once concluded the pre-selected overrun via timer (adjustable from 0 to 30 min).

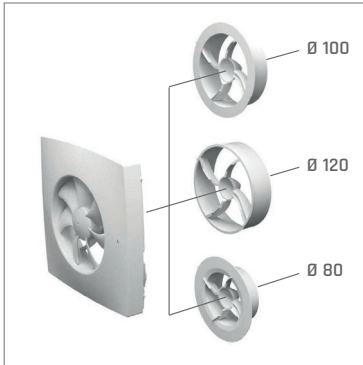
PLUS - 24 hours running with minimum and maximum speeds both adjustable. The operation is similar to the MHY version. In addition, the fan is provided with the DT/ Delay Timer function (see E max 2V DT).

PLUS RC - This version is similar to the e max Plus one. In addition, it is supplied with a remote control from which it is possible to set 2 additional functions:

- an intermediate speed which will adjust automatically according to the minimum and maximum speeds selected.
- a sleep mode function that excludes the timer and humidistat functions for a period of 8 hours, preventing night disturbance.



PERFORMANCE



INTERCHANGEABLE OUTLET SPIGOTS

@max is supplied with 3 interchangeable spigots of $\varnothing 80$, 100 and 120 mm, replaceable with a click, for an easy and quick installation on any standard air duct sizes.



SILENT AND HIGHLY EFFICIENT IMPELLER

The advanced aerodynamic design of the impeller, which is also provided with an antivibration gasket, combines high airflow capacity and the lowest noise level between, 15 and 29 dBA at the maximum performance.



DETACHABLE MOTOR-IMPELLER

The frame is featured with a quick connection in order to facilitate and speed up the fan installation or maintenance without the use of tools.



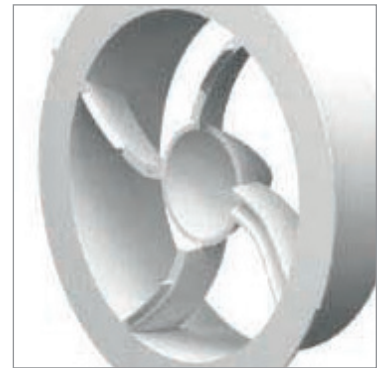
INTEGRATED SERVICE SWITCH

@max is equipped with an integrated on/off slide switch to ease the maintenance operation.



INTEGRATED SMART FUNCTIONS

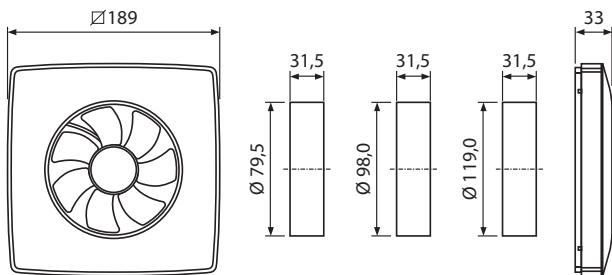
@max is provided with different integrated smart functions which optimize its operation and reduce the energy consumption.



OPTIMIZED EFFICIENCY

@max outlet spigots are provided with deflectors, optimized through a Computational Fluid Dynamic (CFD) analysis, to ensure a maximized efficiency.

DIMENSIONS (mm)



INSTALLATION

